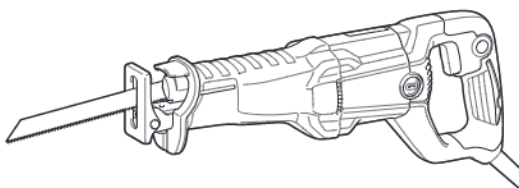




EN	Recipro Saw	INSTRUCTION MANUAL	4
RU	Сабельная пила	РУКОВОДСТВО ПО ЭКСПЛУАТАЦИИ	9
KK	Қылышты ара	ПАЙДАЛАНУ ЖӨНІНДЕГІ НҰСҚАУЛЫҚ	15

JR3051T



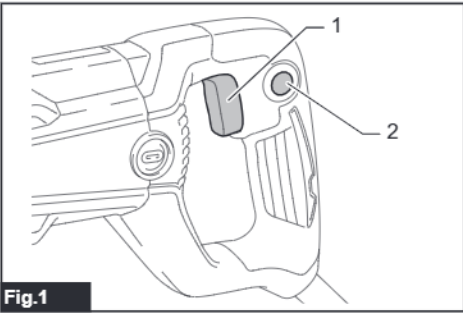


Fig.1

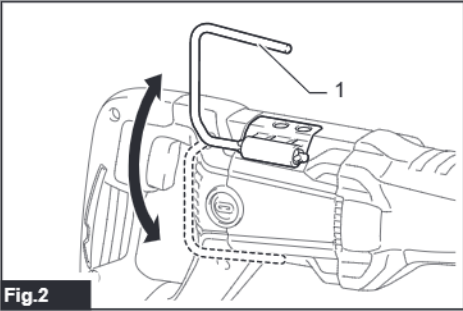


Fig.2

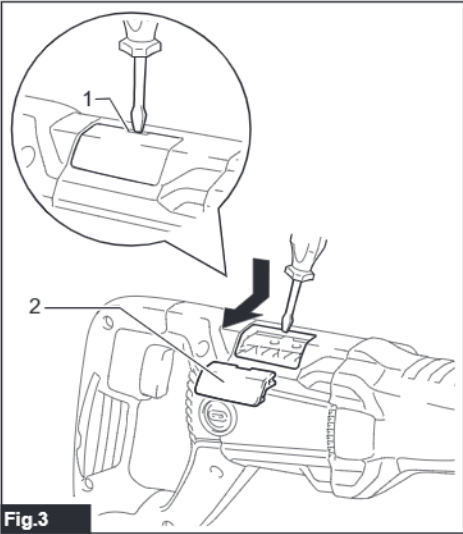


Fig.3

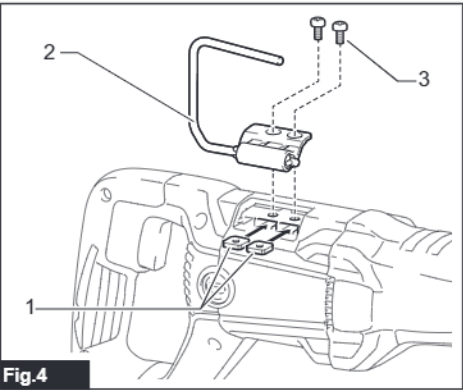


Fig.4

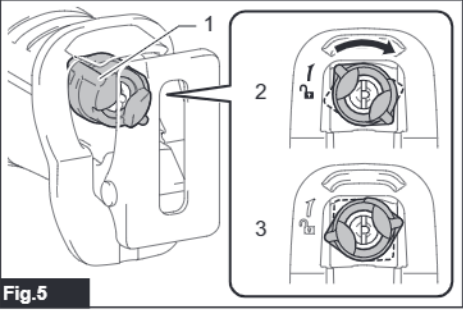


Fig.5

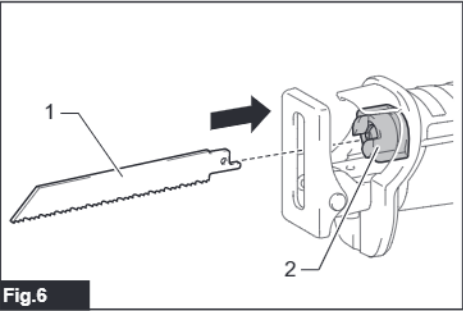


Fig.6

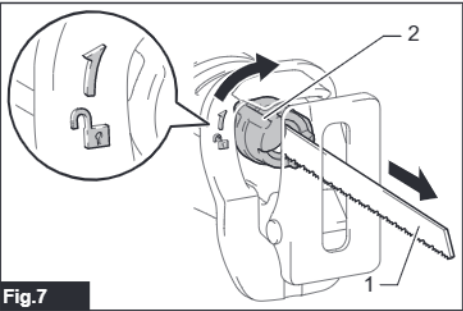
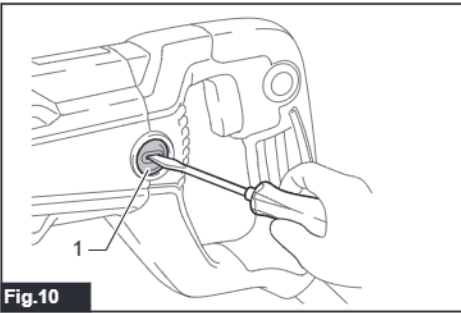
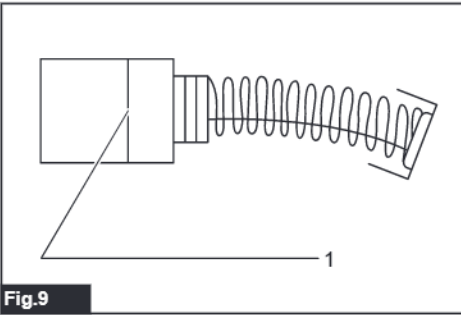
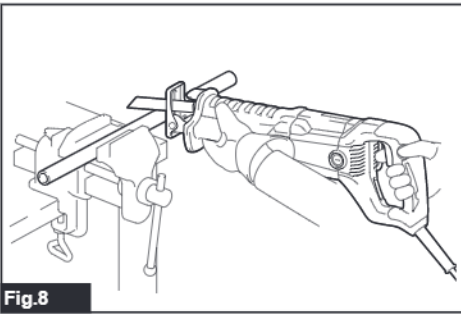


Fig.7



SPECIFICATIONS

Model:		JR3051T
Length of stroke		30 mm
Strokes per minute		0 - 3.000 min ⁻¹
Max. cutting capacities	Pipe (with 300 mm blade)	130 mm
	Wood (with 300 mm blade)	255 mm
Overall length		447 mm
Net weight		3.2 - 3.3 kg
Safety class		II/III

- Due to our continuing program of research and development, the specifications herein are subject to change without notice.
- Specifications may differ from country to country.
- The weight may differ depending on the attachment(s). The lightest and heaviest combination, according to EPTA-Procedure 01/2014, are shown in the table.

Symbols

The following show the symbols used for the equipment. Be sure that you understand their meaning before use.



Read instruction manual.



DOUBLE INSULATION



Only for EU countries
Do not dispose of electric equipment together with household waste material! In observance of the European Directive, on Waste Electric and Electronic Equipment and its implementation in accordance with national law, electric equipment that have reached the end of their life must be collected separately and returned to an environmentally compatible recycling facility.

Intended use

The tool is intended for sawing wood, plastic, metal and building materials with a strong impact. It is suitable for straight and curved cutting.

Power supply

The tool should be connected only to a power supply of the same voltage as indicated on the nameplate, and can only be operated on single-phase AC supply. They are double-insulated and can, therefore, also be used from sockets without earth wire.

Noise

The typical A-weighted noise level determined according to EN62841-2-11:

Sound pressure level (L_{pA}): 88 dB(A)

Sound power level (L_{WA}): 99 dB (A)

Uncertainty (K): 3 dB(A)

NOTE: The declared noise emission value(s) has been measured in accordance with a standard test method and may be used for comparing one tool with another.

NOTE: The declared noise emission value(s) may also be used in a preliminary assessment of exposure.

WARNING: Wear ear protection.

WARNING: The noise emission during actual use of the power tool can differ from the declared value(s) depending on the ways in which the tool is used especially what kind of workpiece is processed.

WARNING: Be sure to identify safety measures to protect the operator that are based on an estimation of exposure in the actual conditions of use (taking account of all parts of the operating cycle such as the times when the tool is switched off and when it is running idle in addition to the trigger time).

Vibration

The vibration total value (tri-axial vector sum) determined according to EN62841-2-11:

Work mode: cutting boards

Vibration emission ($a_{h,s}$): 19.5 m/s²

Uncertainty (K): 1.5 m/s²

Work mode: cutting wooden beams

Vibration emission ($a_{h,wb}$): 19.5 m/s²

Uncertainty (K): 1.5 m/s²

NOTE: The declared vibration total value(s) has been measured in accordance with a standard test method and may be used for comparing one tool with another.

NOTE: The declared vibration total value(s) may also be used in a preliminary assessment of exposure.

⚠ WARNING: The vibration emission during actual use of the power tool can differ from the declared value(s) depending on the ways in which the tool is used especially what kind of workpiece is processed.

⚠ WARNING: Be sure to identify safety measures to protect the operator that are based on an estimation of exposure in the actual conditions of use (taking account of all parts of the operating cycle such as the times when the tool is switched off and when it is running idle in addition to the trigger time).

EC Declaration of Conformity

For European countries only

The EC declaration of conformity is included as Annex A to this instruction manual.

SAFETY WARNINGS

General power tool safety warnings

⚠ WARNING: Read all safety warnings, instructions, illustrations and specifications provided with this power tool. Failure to follow all instructions listed below may result in electric shock, fire and/or serious injury.

Save all warnings and instructions for future reference.

The term "power tool" in the warnings refers to your mains-operated (corded) power tool or battery-operated (cordless) power tool.

Work area safety

1. **Keep work area clean and well lit.** Cluttered or dark areas invite accidents.
2. **Do not operate power tools in explosive atmospheres, such as in the presence of flammable liquids, gases or dust.** Power tools create sparks which may ignite the dust or fumes.
3. **Keep children and bystanders away while operating a power tool.** Distractions can cause you to lose control.

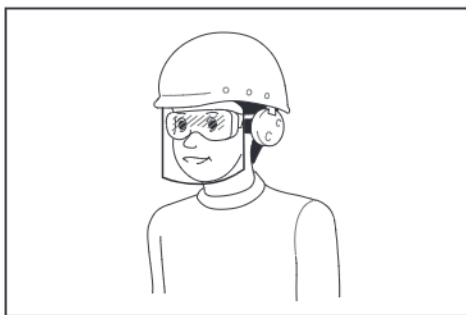
Electrical safety

1. **Power tool plugs must match the outlet. Never modify the plug in any way. Do not use any adapter plugs with earthed (grounded) power tools.** Unmodified plugs and matching outlets will reduce risk of electric shock.
2. **Avoid body contact with earthed or grounded surfaces, such as pipes, radiators, ranges and refrigerators.** There is an increased risk of electric shock if your body is earthed or grounded.
3. **Do not expose power tools to rain or wet conditions.** Water entering a power tool will increase the risk of electric shock.
4. **Do not abuse the cord. Never use the cord for carrying, pulling or unplugging the power tool. Keep cord away from heat, oil, sharp edges or moving parts.** Damaged or entangled cords increase the risk of electric shock.

5. **When operating a power tool outdoors, use an extension cord suitable for outdoor use.** Use of a cord suitable for outdoor use reduces the risk of electric shock.
6. **If operating a power tool in a damp location is unavoidable, use a residual current device (RCD) protected supply.** Use of an RCD reduces the risk of electric shock.
7. **Use of power supply via an RCD with a rated residual current of 30 mA or less is always recommended.**
8. **Power tools can produce electromagnetic fields (EMF) that are not harmful to the user.** However, users of pacemakers and other similar medical devices should contact the maker of their device and/or doctor for advice before operating this power tool.
9. **Do not touch the power plug with wet hands.**
10. **If the cord is damaged, have it replaced by the manufacturer or his agent in order to avoid a safety hazard.**

Personal safety

1. **Stay alert, watch what you are doing and use common sense when operating a power tool. Do not use a power tool while you are tired or under the influence of drugs, alcohol or medication.** A moment of inattention while operating power tools may result in serious personal injury.
2. **Use personal protective equipment. Always wear eye protection.** Protective equipment such as a dust mask, non-skid safety shoes, hard hat or hearing protection used for appropriate conditions will reduce personal injuries.
3. **Prevent unintentional starting. Ensure the switch is in the off-position before connecting to power source and/or battery pack, picking up or carrying the tool.** Carrying power tools with your finger on the switch or energising power tools that have the switch on invites accidents.
4. **Remove any adjusting key or wrench before turning the power tool on.** A wrench or a key left attached to a rotating part of the power tool may result in personal injury.
5. **Do not overreach. Keep proper footing and balance at all times.** This enables better control of the power tool in unexpected situations.
6. **Dress properly. Do not wear loose clothing or jewellery. Keep your hair and clothing away from moving parts.** Loose clothes, jewellery or long hair can be caught in moving parts.
7. **If devices are provided for the connection of dust extraction and collection facilities, ensure these are connected and properly used.** Use of dust collection can reduce dust-related hazards.
8. **Do not let familiarity gained from frequent use of tools allow you to become complacent and ignore tool safety principles.** A careless action can cause severe injury within a fraction of a second.
9. **Always wear protective goggles to protect your eyes from injury when using power tools. The goggles must comply with ANSI Z87.1 in the USA, EN 166 in Europe, or AS/NZS 1336 in Australia/New Zealand. In Australia/New Zealand, it is legally required to wear a face shield to protect your face, too.**



It is an employer's responsibility to enforce the use of appropriate safety protective equipments by the tool operators and by other persons in the immediate working area.

Power tool use and care

1. **Do not force the power tool. Use the correct power tool for your application.** The correct power tool will do the job better and safer at the rate for which it was designed.
2. **Do not use the power tool if the switch does not turn it on and off.** Any power tool that cannot be controlled with the switch is dangerous and must be repaired.
3. **Disconnect the plug from the power source and/or remove the battery pack, if detachable, from the power tool before making any adjustments, changing accessories, or storing power tools.** Such preventive safety measures reduce the risk of starting the power tool accidentally.
4. **Store idle power tools out of the reach of children and do not allow persons unfamiliar with the power tool or these instructions to operate the power tool.** Power tools are dangerous in the hands of untrained users.
5. **Maintain power tools and accessories. Check for misalignment or binding of moving parts, breakage of parts and any other condition that may affect the power tool's operation. If damaged, have the power tool repaired before use.** Many accidents are caused by poorly maintained power tools.
6. **Keep cutting tools sharp and clean.** Properly maintained cutting tools with sharp cutting edges are less likely to bind and are easier to control.
7. **Use the power tool, accessories and tool bits etc. in accordance with these instructions, taking into account the working conditions and the work to be performed.** Use of the power tool for operations different from those intended could result in a hazardous situation.
8. **Keep handles and grasping surfaces dry, clean and free from oil and grease.** Slippery handles and grasping surfaces do not allow for safe handling and control of the tool in unexpected situations.
9. **When using the tool, do not wear cloth work gloves which may be entangled.** The entanglement of cloth work gloves in the moving parts may result in personal injury.

Service

1. **Have your power tool serviced by a qualified repair person using only identical replacement parts.** This will ensure that the safety of the power tool is maintained.
2. **Follow instruction for lubricating and changing accessories.**

Recipro saw safety warnings

1. **Hold the power tool by insulated gripping surfaces, when performing an operation where the cutting accessory may contact hidden wiring or its own cord.** Cutting accessory contacting a "live" wire may make exposed metal parts of the power tool "live" and could give the operator an electric shock.
2. **Use clamps or another practical way to secure and support the workpiece to a stable platform.** Holding the workpiece by hand or against your body leaves it unstable and may lead to loss of control.
3. **Always use safety glasses or goggles. Ordinary eye or sun glasses are NOT safety glasses.**
4. **Avoid cutting nails. Inspect workpiece for any nails and remove them before operation.**
5. **Do not cut oversize workpiece.**
6. **Check for the proper clearance beyond the workpiece before cutting so that the blade will not strike the floor, workbench, etc.**
7. **Hold the tool firmly.**
8. **Make sure the blade is not contacting the workpiece before the switch is turned on.**
9. **Keep hands away from moving parts.**
10. **Do not leave the tool running. Operate the tool only when hand-held.**
11. **Always switch off and wait for the blade to come to a complete stop before removing the blade from the workpiece.**
12. **Do not touch the blade or the workpiece immediately after operation; they may be extremely hot and could burn your skin.**
13. **Do not operate the tool at no-load unnecessarily.**
14. **Always use the correct dust mask/respirator for the material and application you are working with.**
15. **Some material contains chemicals which may be toxic. Take caution to prevent dust inhalation and skin contact. Follow material supplier safety data.**
16. **Before operation, make sure that there is no buried object such as electric pipe, water pipe or gas pipe in the workpiece. Otherwise, the reciprocating blade may touch them, resulting in an electric shock, electrical leakage or gas leak.**

SAVE THESE INSTRUCTIONS.

⚠ WARNING: DO NOT let comfort or familiarity with product (gained from repeated use) replace strict adherence to safety rules for the subject product. **MISUSE** or failure to follow the safety rules stated in this instruction manual may cause serious personal injury.

FUNCTIONAL DESCRIPTION

CAUTION: Always be sure that the tool is switched off and unplugged before adjusting or checking function on the tool.

Switch action

WARNING: Before plugging in the tool, always check to see that the switch trigger actuates properly and returns to the "OFF" position when released.

WARNING: Switch can be locked in "ON" position for ease of operator comfort during extended use. Apply caution when locking tool in "ON" position and maintain firm grasp on tool.

CAUTION: Return the switch trigger to the "OFF" position in case of accidental unplugging, blackout, or the power is cut unintentionally. Otherwise the tool may start suddenly when the power returns and it may result in personal injury.

To start the tool, simply pull the switch trigger. Tool speed is increased by increasing pressure on the switch trigger. Release the switch trigger to stop. For continuous operation, pull the switch trigger and then push in the lock button. To stop the tool from the locked position, pull the switch trigger fully, then release it.

► Fig.1: 1. Switch trigger 2. Lock button

Hook

Optional accessory

CAUTION: Always be sure that the tool is switched off and unplugged when hanging the tool.

CAUTION: Never hang the tool at high or potentially unstable location.

CAUTION: Do not hook the tool on your belt or other accessories. The reciprocating saw blade may contact your body and cause personal injury.

The hook is convenient for hanging the tool temporarily. To use the hook, simply lift up hook until it snaps into the open position.

When not in use, always lower hook until it snaps into the closed position.

► Fig.2: 1. Hook

Attach the hook by following procedure.

1. Insert the tip of slotted screwdriver into the notch and remove the the cover by pressing and sliding it.

► Fig.3: 1. Notch 2. Cover

2. Insert the square nuts into the tool as shown in the figure.

3. Secure the hook with the screws.



► Fig.4: 1. Square nut 2. Hook 3. Screw

ASSEMBLY

CAUTION: Always be sure that the tool is switched off and unplugged before carrying out any work on the tool.

Installing or removing the reciprocating saw blade

CAUTION: Always clean out all chips or foreign matter adhering to the blade and around the blade clamp. Failure to do so may cause insufficient tightening of the blade, resulting in a serious injury.


Before installing the reciprocating saw blade, always make sure that the blade clamp lever (part of the blade clamp sleeve) is in released position  on the insulation cover. If the blade clamp lever is in fixed position, rotate the blade clamp lever in the direction of the arrow so that it can be locked at the released position .

► Fig.5: 1. Blade clamp lever 2. Released position 3. Fixed position

Insert the reciprocating saw blade into the blade clamp as far as it will go. The blade clamp sleeve rotates and fixes the reciprocating saw blade. Make sure that the reciprocating saw blade cannot be extracted even though you try to pull it out.



► Fig.6: 1. Reciprocating saw blade 2. Blade clamp sleeve

CAUTION: If you do not insert the reciprocating saw blade deep enough, the reciprocating saw blade may be ejected unexpectedly during operation. This can be extremely dangerous.

To remove the reciprocating saw blade, rotate the blade clamp lever in the direction of the arrow fully. The reciprocating saw blade is removed and the blade clamp lever is fixed at the released position .

► Fig.7: 1. Reciprocating saw blade 2. Blade clamp lever

CAUTION: Keep hands and fingers away from the lever during the switching operation. Failure to do so may cause personal injuries.

NOTE: If you remove the reciprocating saw blade without rotating the blade clamp lever fully, the lever may not be locked in the released position . In this case, rotate the blade clamp lever fully again, then make sure that the blade clamp lever locked at the released position .

NOTE: If the blade clamp lever is positioned inside the tool, switch on the tool just a second to let the blade out. Unplug the tool before installing or removing the reciprocating saw blade.

OPERATION

CAUTION: Always hold the tool firmly with one hand on insulation cover and the other on the switch handle.

CAUTION: Always press the shoe firmly against the workpiece during operation. If the shoe is removed or held away from the workpiece during operation, strong vibration and/or twisting will be produced, causing the blade to snap dangerously.

CAUTION: Always wear gloves to protect your hands from hot flying chips when cutting metal.

CAUTION: Be sure to always wear suitable eye protection which conforms with current national standards.

CAUTION: Always use a suitable coolant (cutting oil) when cutting metal. Failure to do so will cause premature blade wear.

CAUTION: Do not quirk the blade during cutting.

Press the shoe firmly against the workpiece. Do not allow the tool to bounce. Bring the reciprocating saw blade into light contact with the workpiece. First, make a pilot groove using a slower speed. Then use a faster speed to continue cutting.

► Fig.8

NOTICE: Do not cut the workpiece with the shoe away from the workpiece or without the shoe.

Doing so increases the reaction force which may break the reciprocating saw blade.

MAINTENANCE

CAUTION: Always be sure that the tool is switched off and unplugged before attempting to perform inspection or maintenance.

NOTICE: Never use gasoline, benzene, thinner, alcohol or the like. Discoloration, deformation or cracks may result.

To maintain product SAFETY and RELIABILITY, repairs, any other maintenance or adjustment should be performed by Makita Authorized or Factory Service Centers, always using Makita replacement parts.

Replacing carbon brushes

► Fig.9: 1. Limit mark

Check the carbon brushes regularly. Replace them when they wear down to the limit mark. Keep the carbon brushes clean and free to slip in the holders. Both carbon brushes should be replaced at the same time. Use only identical carbon brushes.

1. Use a screwdriver to remove the brush holder caps.
2. Take out the worn carbon brushes, insert the new ones and secure the brush holder caps.

► Fig.10: 1. Brush holder cap

OPTIONAL ACCESSORIES

CAUTION: These accessories or attachments are recommended for use with your Makita tool specified in this manual. The use of any other accessories or attachments might present a risk of injury to persons. Only use accessory or attachment for its stated purpose.

If you need any assistance for more details regarding these accessories, ask your local Makita Service Center.

- Recipro saw blades
- Hook

NOTE: Some items in the list may be included in the tool package as standard accessories. They may differ from country to country.

ТЕХНИЧЕСКИЕ ХАРАКТЕРИСТИКИ

Модель:	JR3051T	
Длина хода	30 мм	
Рабочая частота	0 – 3 000 мин ⁻¹	
Макс. глубина резания	Труба (с полотном 300 мм)	130 мм
	Древесина (с полотном 300 мм)	255 мм
Общая длина	447 мм	
Масса нетто	3,2 – 3,3 кг	
Класс безопасности	II/II	

- Благодаря нашей постоянно действующей программе исследований и разработок указанные здесь технические характеристики могут быть изменены без предварительного уведомления.
- Технические характеристики могут различаться в зависимости от страны.
- Масса может отличаться в зависимости от дополнительного оборудования. В таблице представлены комбинации с наибольшей и наименьшей массой в соответствии с процедурой EPTA 01/2014.

Символы

Ниже приведены символы, используемые для оборудования. Перед использованием убедитесь, что вы понимаете их значение.



Прочитайте руководство по эксплуатации.



ДВОЙНАЯ ИЗОЛЯЦИЯ



Только для стран ЕС
Не выбрасывайте электрическое оборудование вместе с обычным мусором! В рамках соблюдения Европейской Директивы по утилизации электрического и электронного оборудования и ее применения в соответствии с национальным законодательством, электрооборудование в конце срока своей службы должно утилизироваться отдельно и передаваться для утилизации на предприятие, соответствующее применяемым правилам охраны окружающей среды.

Назначение

Данный инструмент предназначен для распиливания древесины, резки пластика и черного металла.

Источник питания

Данный инструмент должен подключаться к источнику питания с напряжением, соответствующим напряжению, указанному на идентификационной пластине, и может работать только от однофазного источника переменного тока. Он имеет двойную изоляцию и поэтому может подключаться к розеткам без заземления.

Шум

Типичный уровень взвешенного звукового давления (A), измеренный в соответствии с EN62841-2:11: Уровень звукового давления (L_{рА}): 88 дБ (A)
Уровень звуковой мощности (L_{вА}): 99 дБ (A)
Погрешность (K): 3 дБ (A)

ПРИМЕЧАНИЕ: Заявленное значение распространения шума измерено в соответствии со стандартной методикой испытаний и может быть использовано для сравнения инструментов.

ПРИМЕЧАНИЕ: Заявленное значение распространения шума можно также использовать для предварительных оценок воздействия.

⚠ ОСТОРОЖНО: Используйте средства защиты слуха.

⚠ ОСТОРОЖНО: Распространение шума во время фактического использования электроинструмента может отличаться от заявленного значения в зависимости от способа применения инструмента и в особенности от типа обрабатываемой детали.

⚠ ОСТОРОЖНО: Обязательно определите меры безопасности для защиты оператора, основанные на оценке воздействия в реальных условиях использования (с учетом всех этапов рабочего цикла, таких как выключение инструмента, работа без нагрузки и включение).

Вибрация

Суммарное значение вибрации (сумма векторов по трем осям), определенное в соответствии с EN62841-2-11:

Рабочий режим: резка панелей

Распространение вибрации ($a_{h,v}$): 19,5 м/с²

Погрешность (K): 1,5 м/с²

Рабочий режим: резка деревянных балок

Распространение вибрации ($a_{h,v}$): 19,5 м/с²

Погрешность (K): 1,5 м/с²

ПРИМЕЧАНИЕ: Заявленное общее значение распространения вибрации измерено в соответствии со стандартной методикой испытаний и может быть использовано для сравнения инструментов.

ПРИМЕЧАНИЕ: Заявленное общее значение распространения вибрации можно также использовать для предварительных оценок воздействия.

⚠ ОСТОРОЖНО: Распространение вибрации во время фактического использования электроинструмента может отличаться от заявленного значения в зависимости от способа применения инструмента и в особенности от типа обрабатываемой детали.

⚠ ОСТОРОЖНО: Обязательно определите меры безопасности для защиты оператора, основанные на оценке воздействия в реальных условиях использования (с учетом всех этапов рабочего цикла, таких как выключение инструмента, работа без нагрузки и включение).

Декларация о соответствии ЕС

Только для европейских стран

Декларация о соответствии ЕС включена в руководство по эксплуатации (Приложение А).

МЕРЫ БЕЗОПАСНОСТИ

Общие рекомендации по технике безопасности для электроинструментов

⚠ ОСТОРОЖНО: Ознакомьтесь со всеми представленными инструкциями по технике безопасности, указаниями, иллюстрациями и техническими характеристиками, прилагаемыми к данному электроинструменту. Несоблюдение каких-либо инструкций, указанных ниже, может привести к поражению электрическим током, пожару и/или серьезной травме.

Сохраните брошюру с инструкциями и рекомендациями для дальнейшего использования.

Термин "электроинструмент" в предупреждениях относится ко всему инструменту, работающему от сети (с проводом) или на аккумуляторах (без провода).

Безопасность в месте выполнения работ

1. **Рабочее место должно быть чистым и хорошо освещенным.** Захламление и плохое освещение могут стать причиной несчастных случаев.
2. **Не пользуйтесь электроинструментом во взрывоопасной атмосфере, например в присутствии легко воспламеняющихся жидкостей, газов или пыли.** При работе электроинструмента возникают искры, которые могут привести к воспламенению пыли или газов.
3. **При работе с электроинструментом не допускайте детей или посторонних к месту выполнения работ.** Не отвлекайтесь во время работы, так как это приведет к потере контроля над электроинструментом.

Электробезопасность

1. **Вилка электроинструмента должна соответствовать сетевой розетке. Запрещается вносить какие-либо изменения в конструкцию вилки.** Для электроинструмента с заземлением запрещается использовать переходники. Розетки и вилки, не подвергавшиеся изменениям, снижают риск поражения электрическим током.
2. **Избегайте контакта участков тела с заземленными поверхностями, такими как трубы, радиаторы, батареи отопления и холодильники.** При контакте тела с заземленными предметами увеличивается риск поражения электрическим током.
3. **Не подвергайте электроинструмент воздействию дождя или влаги.** Попадание воды в электроинструмент повышает риск поражения электрическим током.
4. **Аккуратно обращайтесь со шнуром питания. Запрещается использовать шнур питания для переноски, перемещения или извлечения вилки из розетки. Располагайте шнур на расстоянии от источников тепла, масла, острых краев и движущихся деталей.** Поврежденные или запутанные сетевые шнуры увеличивают риск поражения электрическим током.
5. **При использовании электроинструмента вне помещения используйте удлинитель, подходящий для этих целей.** Использование соответствующего шнура снижает риск поражения электрическим током.
6. **Если электроинструмент приходится эксплуатировать в сыром месте, используйте линию электропитания, которая защищена устройством, срабатывающим от остаточного тока (RCD).** Использование RCD снижает риск поражения электротоком.
7. **Рекомендуется использовать питание через RCD с номинальным остаточным током 30 мА или менее.**
8. **Электроинструмент может создавать электромагнитные поля (EMF), которые не представляют опасности для пользователя.** Однако пользователям с кардиостимуляторами и другими аналогичными медицинскими устройствами следует обратиться к производителю устройства и/или врачу перед началом эксплуатации инструмента.

9. Не прикасайтесь к разъему электропитания мокрыми руками.
10. Во избежание угрозы безопасности, в случае повреждения кабеля его необходимо заменить в мастерской изготовителя.

Личная безопасность

1. При использовании электроинструмента будьте бдительны, следите за тем, что вы делаете, и руководствуйтесь здравым смыслом. Не пользуйтесь электроинструментом, если вы устали, находитесь под воздействием наркотиков, алкоголя или лекарственных препаратов. Даже мгновенная невнимательность при использовании электроинструмента может привести к серьезной травме.
2. Используйте индивидуальные средства защиты. Всегда надевайте защитные очки. Такие средства индивидуальной защиты, как маска от пыли, защитная нескользящая обувь, каска или наушники, используемые в соответствующих условиях, позволяют снизить риск получения травмы.
3. Не допускайте случайного запуска. Прежде чем подсоединять инструмент к источнику питания и/или аккумуляторной батарее, поднимать или переносить инструмент, убедитесь, что переключатель находится в выключенном положении. Переноска электроинструмента с пальцем на выключателе или подача питания на инструмент с включенным выключателем может привести к несчастному случаю.
4. Перед включением электроинструмента снимите с него все регулировочные инструменты и гаечные ключи. Гаечный или регулировочный ключ, оставшийся закрепленным на вращающейся детали, может привести к травме.
5. При эксплуатации устройства не тянитесь. Всегда сохраняйте устойчивое положение и равновесие. Это позволит лучше управлять электроинструментом в непредвиденных ситуациях.
6. Одевайтесь соответствующим образом. Не надевайте свободную одежду или украшения. Ваши волосы и одежда должны всегда находиться на расстоянии от движущихся деталей. Свободная одежда, украшения или длинные волосы могут попасть в движущиеся детали устройства.
7. Если электроинструмент оборудован системой удаления и сбора пыли, убедитесь, что она подключена и используется соответствующим образом. Использование пылесборника снижает вероятность возникновения рисков, связанных с пылью.
8. Не переоценивайте свои возможности и не пренебрегайте правилами техники безопасности, даже если вы часто работаете с инструментом. Небрежное обращение с инструментом может стать причиной серьезной травмы за доли секунды.

9. Во время работы с электроинструментом всегда надевайте защитные очки. Очки должны соответствовать ANSI Z87.1 для США, EN 166 для Европы, или AS/NZS 1336 для Австралии и Новой Зеландии. В Австралии и Новой Зеландии оператор также обязан носить защитную маску.



Ответственность за использование средств защиты операторами и другим персоналом вблизи рабочей зоны возлагается на работодателя.

Эксплуатация и обслуживание электроинструмента

1. Не прилагайте излишних усилий к электроинструменту. Используйте инструмент, соответствующий выполняемой вами работе. Правильно подобранный электроинструмент позволит выполнить работу лучше и безопаснее с производительностью, на которую он рассчитан.
2. Не пользуйтесь электроинструментом с неисправным выключателем. Любой электроинструмент с неисправным выключателем опасен и должен быть отремонтирован.
3. Перед выполнением регулировок, сменой принадлежностей или хранением электроинструмента всегда отключайте его от источника питания и/или от аккумулятора или снимайте аккумулятор, если он является съемным. Такие превентивные меры предосторожности снижают риск случайного включения электроинструмента.
4. Храните электроинструменты в местах, недоступных для детей, и не позволяйте лицам, не знакомым с работой такого инструмента или не прочитавшим данные инструкции, пользоваться им. Электроинструмент опасен в руках неопытных пользователей.
5. Поддерживайте электроинструмент и дополнительные принадлежности в надлежащем состоянии. Убедитесь в соосности, отсутствии деформаций движущихся узлов, поломок каких-либо деталей или других дефектов, которые могут повлиять на работу электроинструмента. Если инструмент поврежден, отремонтируйте его перед использованием. Большое число несчастных случаев происходит из-за плохого ухода за электроинструментом.

6. Режущий инструмент всегда должен быть острым и чистым. Соответствующее обращение с режущим инструментом, имеющим острые режущие кромки, делает его менее подверженным деформациям, что позволяет лучше управлять им.
7. Используйте электроинструмент, принадлежности, приспособления и насадки в соответствии с данными инструкциями и в целях, для которых он предназначен, учитывая при этом условия и вид выполняемой работы. Использование электроинструмента не по назначению может привести к возникновению опасной ситуации.
8. Рукоятки инструмента и специальные изолированные поверхности всегда должны быть сухими и чистыми и не содержать следов масла или смазки. Скользкие рукоятки и специальные поверхности препятствуют соблюдению рекомендаций по технике безопасности в экстренных ситуациях.
9. При использовании инструмента не надевайте рабочие перчатки, ткань которых инструмент может затянуть. Затягивание ткани рабочих перчаток в движущиеся части инструмента может привести к травме.
6. Убедитесь в наличии свободного пространства за распиливаемой деталью, чтобы полотно не уперлось в пол, верстак и т. п.
7. Крепко держите инструмент.
8. Перед включением выключателя убедитесь в том, что диск не касается обрабатываемой детали.
9. Руки должны находиться на расстоянии от движущихся деталей.
10. Не оставляйте работающий инструмент без присмотра. Включайте инструмент только тогда, когда он находится в руках.
11. Перед извлечением полотна из детали всегда выключайте инструмент и ждите остановки движения полотна.
12. Не касайтесь полотна или обрабатываемой детали сразу же после работы; они могут быть очень горячими и обжечь кожу.
13. Без необходимости не эксплуатируйте инструмент без нагрузки.
14. Обязательно используйте соответствующую пылезащитную маску/респиратор для защиты дыхательных путей от пыли разрезаемых материалов.
15. Некоторые материалы могут содержать токсичные химические вещества. Примите соответствующие меры предосторожности, чтобы избежать вдыхания или контакта с кожей таких веществ. Соблюдайте требования, указанные в паспорте безопасности материала.
16. Перед началом работы убедитесь в том, что в обрабатываемой детали не проходят линии электроснабжения, водопроводы или газопроводы. В противном случае полотно сабельной пилы может коснуться этих предметов, что приведет к удару электрическим током, утечке тока или газа.

Сервисное обслуживание

1. Сервисное обслуживание электроинструмента должно проводиться только квалифицированным специалистом по ремонту и только с использованием идентичных запасных частей. Это позволит обеспечить безопасность электроинструмента.
2. Следуйте инструкциям по смазке и замене принадлежностей.

Правила техники безопасности при эксплуатации сабельной пилы

1. Если при выполнении работ существует риск контакта режущего инструмента со скрытой электропроводкой или собственным шнуром питания, держите электроинструмент за специально предназначенные изолированные поверхности. Контакт с проводом под напряжением может стать причиной поражения оператора током.
2. Для фиксации разрезаемой детали на устойчивой поверхности используйте зажимы или другие соответствующие приспособления. Никогда не держите распиливаемые детали в руках и не прижимайте их к телу, так как это не обеспечит устойчивого положения детали и может привести к потере контроля над инструментом.
3. Обязательно надевайте защитные очки или защитную маску для лица. Обычные или солнцезащитные очки НЕ ЯВЛЯЮТСЯ защитными очками.
4. Избегайте попадания режущего инструмента на гвозди. Перед пилением осмотрите деталь и убедитесь в отсутствии гвоздей.
5. Не распиливайте детали, превышающие допустимый размер.

СОХРАНИТЕ ДАННЫЕ ИНСТРУКЦИИ.

▲ОСТОРОЖНО: НЕ ДОПУСКАЙТЕ, чтобы удобство или опыт эксплуатации данного устройства (полученный от многократного использования) доминировали над строгим соблюдением правил техники безопасности при обращении с этим устройством. НЕПРАВИЛЬНОЕ ИСПОЛЬЗОВАНИЕ инструмента или несоблюдение правил техники безопасности, указанных в данном руководстве, может привести к тяжелой травме.

ОПИСАНИЕ РАБОТЫ

▲ВНИМАНИЕ: Перед регулировкой или проверкой функций инструмента обязательно убедитесь, что он выключен и его вилка вынута из розетки.

Действие выключателя

▲ОСТОРОЖНО: Перед включением инструмента в розетку обязательно убедитесь, что триггерный переключатель работает надлежащим образом и возвращается в положение "Выкл", если его отпустить.

▲ОСТОРОЖНО: В случае продолжительной работы для удобства оператора переключатель можно зафиксировать в положении "Вкл.". Соблюдайте осторожность при фиксации инструмента в положении "Вкл." и крепко удерживайте инструмент.

▲ВНИМАНИЕ: Верните триггерный переключатель в положение "OFF" (выкл.) на случай непредвиденного или намеренного отключения, а также прерывания подачи питания. При несоблюдении этого требования в случае возобновления подачи питания инструмент может включиться и стать причиной травмы.

Для запуска инструмента просто нажмите триггерный переключатель. Для увеличения рабочей частоты нажмите триггерный переключатель сильнее. Для остановки отпустите триггерный переключатель.

Для продолжительной работы нажмите триггерный переключатель, затем нажмите кнопку блокировки. Для остановки инструмента из заблокированного положения полностью нажмите триггерный переключатель, затем отпустите его.

► **Рис.1:** 1. Триггерный переключатель 2. Кнопка разблокировки

Крючок

Дополнительные принадлежности

▲ВНИМАНИЕ: Перед тем, как подвесить инструмент, убедитесь в том, что он выключен.

▲ВНИМАНИЕ: Никогда не подвешивайте инструмент на большой высоте или на потенциально неустойчивой поверхности.

▲ВНИМАНИЕ: Не подвешивайте инструмент на ремень или другие принадлежности. Полотно сабельной пилы может причинить травму при контакте с телом.

Крючок используется для временного подвешивания инструмента.

Для использования крючка просто поднимите его так, чтобы он защелкнулся в открытом положении. Если крючок не используется, опустите его так, чтобы он защелкнулся в закрытом положении.

► **Рис.2:** 1. Крючок

Прикрепите крючок, как указано далее.

1. Вставьте конец шлицевой отвертки в паз и снимите крышку, нажав и сдвинув ее.

► **Рис.3:** 1. Паз 2. Крышка

2. Вставьте квадратные гайки в инструмент, как показано на рисунке.

3. Закрепите крюк винтами.



► **Рис.4:** 1. Квадратная гайка 2. Крючок 3. Винт

СБОРКА

▲ВНИМАНИЕ: Перед проведением каких-либо работ с инструментом обязательно проверяйте, что инструмент выключен, а шнур питания вынут из розетки.

Установка или снятие полотна сабельной пилы

▲ВНИМАНИЕ: Всегда удаляйте все опилки или инородные частицы, прилипшие к полотну и/или зажиму полотна. Несоблюдение данного требования может привести к недостаточной затяжке лезвия и серьезной травме.


Перед установкой полотна сабельной пилы всегда проверяйте, чтобы рычаг зажима полотна (компонент муфты зажима полотна) находился в разомкнутом положении  на защитной крышке. Если рычаг зажима полотна находится в зафиксированном положении, поверните рычаг зажима полотна в указанном стрелкой направлении, чтобы заблокировать его в разомкнутом положении .

► **Рис.5:** 1. Рычаг зажима полотна 2. Разомкнутое положение 3. Зафиксированное положение

Вставьте полотно сабельной пилы в зажим полотна до упора. Втулка зажима полотна повернется и зафиксирует полотно. Убедитесь, что полотно не может быть извлечено из зажима, даже если вы потянете за него.

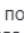

► **Рис.6:** 1. Полотно сабельной пилы 2. Муфта зажима полотна

▲ВНИМАНИЕ: Если вы не вставите полотно достаточно глубоко, при работе полотно сабельной пилы может неожиданно выскочить. Это может быть чрезвычайно опасно.

Чтобы снять полотно сабельной пилы, поверните рычаг зажима полотна до упора в направлении, указанном стрелкой. Полотно сабельной пилы вынимается, а рычаг зажима полотна фиксируется в разомкнутом положении .

► **Рис.7:** 1. Полотно сабельной пилы 2. Рычаг зажима полотна

▲ВНИМАНИЕ: При переключении рычага берегите руки и пальцы. Несоблюдение этого требования может стать причиной травмы.

ПРИМЕЧАНИЕ: Если вы сняли полотно сабельной пилы, не повернув рычаг зажима полотна до упора, он может не зафиксироваться в разомкнутом положении . В этом случае снова поверните рычаг зажима полотна до упора и убедитесь в том, что он зафиксировался в разомкнутом положении .

ПРИМЕЧАНИЕ: Если рычаг зажима полотна расположен внутри инструмента, включите инструмент на секунду, чтобы полотно вышло наружу. Перед установкой или снятием полотна сабельной пилы отключите инструмент от сети.

ЭКСПЛУАТАЦИЯ

ВНИМАНИЕ: Всегда крепко держите инструмент одной рукой за защитную крышку, а второй рукой за ручку с выключателем.

ВНИМАНИЕ: Во время пиления всегда плотно прижимайте башмак к обрабатываемой детали. Если во время работы башмак инструмента снят или не соприкасается с обрабатываемой деталью, это может привести к значительной вибрации и/или усилению скручивания, что, в свою очередь, может вызвать опасное зажимание полотна.

ВНИМАНИЕ: При резке металла всегда надевайте перчатки для защиты рук от горячей летящей стружки.

ВНИМАНИЕ: Обязательно надевайте соответствующие средства защиты глаз, соответствующие действующим национальным стандартам.

ВНИМАНИЕ: При резке металла всегда пользуйтесь подходящей охлаждающей жидкостью (масло для резки). Несоблюдение данного требования приведет к преждевременному износу полотна.

ВНИМАНИЕ: Не загибайте полотно во время резки.

Крепко прижимайте башмак к обрабатываемой детали. Следите за тем, чтобы инструмент не отскакивал. В начале резки не прижимайте сильно полотно сабельной пилы к детали. Сначала сделайте пробный вырез при низкой скорости. Затем продолжите резку на более высокой скорости.

► Рис.8

ПРИМЕЧАНИЕ: Не распиливайте деталь, если башмак находится далеко от нее или не используется. В противном случае сила противодействия возрастает, что может привести к поломке полотна сабельной пилы.

ОБСЛУЖИВАНИЕ

ВНИМАНИЕ: Перед проверкой или проведением техобслуживания убедитесь, что инструмент выключен, а штекер отсоединен от розетки.

ПРИМЕЧАНИЕ: Запрещается использовать бензин, растворители, спирт и другие подобные жидкости. Это может привести к обесцвечиванию, деформации и трещинам.

Для обеспечения БЕЗОПАСНОСТИ и НАДЕЖНОСТИ оборудования ремонт, любое другое техобслуживание или регулировку необходимо производить в уполномоченных сервис-центрах Makita или сервис-центрах предприятия с использованием только сменных частей производства Makita.

Замена угольных щеток

► Рис.9: 1. Ограничительная метка

Регулярно проверяйте угольные щетки. Замените, когда износ достигнет ограничительной метки. Угольные щетки всегда должны быть чистыми и свободно перемещаться в держателях. Заменяйте обе угольные щетки одновременно. Используйте только идентичные угольные щетки.

1. Используйте отвертку для снятия колпачков держателей щеток.
2. Извлеките изношенные угольные щетки, вставьте новые и закрутите колпачков держателей щеток.

► Рис.10: 1. Колпачок держателя щетки

ДОПОЛНИТЕЛЬНЫЕ ПРИНАДЛЕЖНОСТИ

ВНИМАНИЕ: Данные принадлежности или приспособления рекомендуются для использования с инструментом Makita, указанным в настоящем руководстве. Использование других принадлежностей или приспособлений может привести к получению травмы. Используйте принадлежность или приспособление только по указанному назначению.

Если вам необходимо содействие в получении дополнительной информации по этим принадлежностям, свяжитесь с вашим сервис-центром Makita.

- Полотна для сабельных пил
- Крючок

ПРИМЕЧАНИЕ: Некоторые элементы списка могут входить в комплект инструмента в качестве стандартных приспособлений. Они могут отличаться в зависимости от страны.

ТЕХНИКАЛЫҚ СИПАТТАМАЛАРЫ

Үлгі:	JR3051T	
Жүріс ұзындығы	30 мм	
Бір минуттағы жүріс	0 - 3 000 мм ¹	
Макс. кесу мүмкіндігі	Түтік (300 мм жүзбен)	130 мм
	Ағаш (300 мм жүзбен)	255 мм
Жалпы ұзындығы	447 мм	
Таза салмағы	3,2 - 3,3 кг	
Қауіпсіздік класы	II	

- Зерттеу мен өзірлеудің үздіксіз бағдарламасына байланысты осы құжаттағы техникалық сипаттамалар ескертусіз өзгертілуі мүмкін.
- Техникалық сипаттамалары әр елде әр түрлі болуы мүмкін.
- Өнімнің салмағы қондырма(лар)ға байланысты әр түрлі болуы мүмкін. ЕРТА 01/2014 процедурасы бойынша ең жеңіл және ең ауыр комбинация кестеде көрсетілген.

Белгілер

Төменде жабдықта пайдаланылған белгілер көрсетілген. Қолданар алдында олардың мағынасын түсініп алыңыз.



Пайдалану жөніндегі нұсқаулықты оқып шығыңыз.



ҚОС ҚАБАТТЫ ОҚШАУЛАУ



Тек ЕО елдері үшін
Электр жабдықты немесе аккумулятор блогын тұрмыстық қалдықтармен бірге тастамаңыз!
Электр және электронды жабдықты қоқысқа тастау бойынша Еуропалық директиваның шарттары және ұлттық заңнамаға сәйкес жүзеге асырылуы бойынша, қызметтік мерзімі аяқталған электр жабдық бөлек жиналып, экологиялық тұрғыдан қауіпсіз утилизация пунктіне қайтарылуы тиіс.

Қолдану мақсаты

Құрал ағаш, пластмасса, металл және құрылыс материалдарын үлкен күшпен аралауға арналған. Ол тікелей және қисық кесуге жарамды.

Қуат көзі

Құрал ақпараттық тақтайшада көрсетілген кернеумен бірдей қуат көзіне қосылуы керек және тек бір фазалы АТ көзімен жұмыс істеуі керек. Олардың қос қабатты оқшауламасы бар болғандықтан, жерге тұйықталмаған розеткаларды пайдалануға болады.

Шу

EN62841-2-11 стандартына сай анықталған стандартты А-өлшенген шу деңгейі:
Дыбыс қысымының деңгейі (L_{pA}): 88 дБА
Дыбыс қуатының деңгейі (L_{WA}): 99 дБА
Дөлсіздік (K): 3 дБА

ЕСКЕРТПЕ: Шудың жарияланған таралу мән(дер) і стандартты сынау әдісіне сәйкес өлшенген және оны бір құралды екінші құралмен салыстыру үшін пайдалануға болады.

ЕСКЕРТПЕ: Жарияланған шуды сондай-ақ әсерді алдын ала бағалау үшін пайдалануға болады.

⚠️ ЕСКЕРТУ: Қорғаныс құлаққабын киіңіз.

⚠️ ЕСКЕРТУ: Электрлік құралды іс жүзінде пайдалану кезіндегі шудың таралу мәні құралдың пайдалану әдісіне, әсіресе қандай дайындама өңделгеніне байланысты жарияланған мәнінен өзгеше болуы мүмкін.

⚠️ ЕСКЕРТУ: Іс жүзінде пайдалану кезіндегі әсерді бағалау негізінде операторды қорғау үшін қауіпсіздік шараларын анықтаңыз (құралдың өшірілген уақыты және бос жүріс уақытын қоса алғанда, іске қосылу уақыты сияқты барлық жұмыс циклдерін ескеру керек).

Діріл

EN62841-2-11 сәйкес анықталған дірілдің жалпы мәні (үш осьтік векторлық сома):
Жұмыс режимі: тақталарды кесу
Дірілдің таралуы ($a_{h,g}$): 19,5 м/с²
Дөлсіздік (K): 1,5 м/с²
Жұмыс режимі: ағаш арқалықтарын кесу
Дірілдің таралуы ($a_{h,wb}$): 19,5 м/с²
Дөлсіздік (K): 1,5 м/с²

ЕСКЕРТПЕ: Дірілдің жарияланған жалпы мән(дер) і стандартты сынау әдісіне сәйкес өлшенген және оны бір құралды екінші құралмен салыстыру үшін пайдалануға болады.

ЕСКЕРТПЕ: Сондай-ақ дірілдің жарияланған жалпы мән(дер)ін әсерді алдын ала бағалау үшін пайдалануға болады.

⚠️ЕСКЕРТУ: Электрлік құралды іс жүзінде пайдалану кезіндегі дірілдің мәні құралдың пайдалану әдісіне, әсіресе қандай дайындама өңделгеніне байланысты жарияланған мән(дер)інен өзгеше болуы мүмкін.

⚠️ЕСКЕРТУ: Іс жүзінде пайдалану кезіндегі әсерді бағалау негізінде операторды қорғау үшін қауіпсіздік шараларын анықтаңыз (құралдың өшірілген уақыты және бос жүріс уақытын қоса алғанда, іске қосылу уақыты сияқты барлық жұмыс циклдерін ескеру керек).

ЕС сәйкестік декларациясы

Тек Еуропа елдеріне арналған

ЕС сәйкестік декларациясы осы пайдалану жөніндегі нұсқаулықтың А қосымшасы ретінде қосылған.

ҚАУІПСІЗДІК БОЙЫНША ЕСКЕРТУЛЕР

Электрлік құралдың жалпы қауіпсіздік ескертулері

⚠️ЕСКЕРТУ: Осы электрлік құралмен бірге берілген қауіпсіздік ескертулерін, нұсқауларды, суреттерді және техникалық сипаттамаларды оқып шығыңыз. Төменде берілген барлық нұсқауды орындамаған жағдайда, электр тогының соғуы, өрт шығуы және/немесе ауыр жарақат алуға себеп болуы мүмкін.

Алдағы уақытта қолдану үшін барлық ескерту мен нұсқауды сақтап қойыңыз.

Ескертулердегі “электрлік құрал” термині қуат көзінен жұмыс істейтін (сымды) электрлік құралды немесе аккумулятормен жұмыс істейтін (сымсыз) электрлік құралды білдіреді.

Жұмыс аймағындағы қауіпсіздік

1. **Жұмыс аймағы таза әрі жарық болуы керек.** Лас немесе қараңғы аймақтарда жазатайым оқиғалар туындауы мүмкін.
2. **Электрлік құралды айналасында тез тұтанатын сұйықтық, газ немесе шаң сияқты заттардан тұратын жарылыс қаупі бар орталарда пайдаланбаңыз.** Электрлік құралдар шаң немесе газды тұтандыратын электр ұшқындарын шығарады.
3. **Электрлік құралды пайдаланған кезде, балалар және бөгде адамдар алшақ жүруі керек.** Басқа нәрсеге алаңдаспаңыз, құралға ие бола алмай қалуыңыз мүмкін.

Электрлік қауіпсіздік

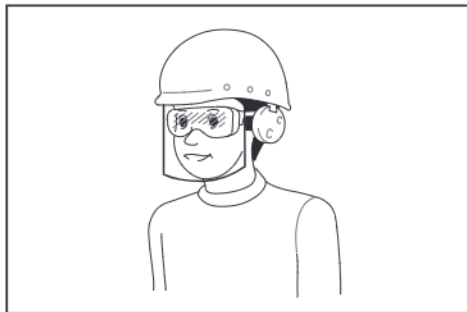
1. **Электрлік құралдың ашасы розеткаға сәйкес келуі керек.** Ашаны ешбір жағдайда өзгертеніз. Адаптер ашаларын жерге тұйықталған электрлік құралдармен пайдаланбаңыз. Өзгертілмеген ашалар мен сәйкес келетін розеткалар электр тогының соғу қаупін азайтады.

2. **Түтіктер, радиаторлар, жылу батареялары және тоңазытқыштар сияқты жерге тұйықталған бұйымдарды ұстамаңыз.** Егер дөненіз жерге тұйықталатын болса, ток соғу қаупі жоғары болады.
3. **Электрлік құралдарды жаңбырдың астына немесе ылғалды жерлерге қоймаңыз.** Электрлік құралға су кіретін болса, ток соғу қаупі артады.
4. **Қуат сымын мұқият пайдаланыңыз.** Электрлік құралды тасу, тарту немесе қуат көзінен ажырату үшін қуат сымын пайдалануға болмайды. Қуат сымына ыстық зат, май, өткір жиек немесе қозғалмалы бөлшектер тимеуі керек. Зақымдалған немесе оралған қуат сымдары ток соғу қаупін арттырады.
5. **Электрлік құралды сыртта пайдаланғанда, сыртта қолдануға жарамды ұзартқышты қолданыңыз.** Сыртта қолдануға жарамды шнурды пайдалану ток соғу қаупін азайтады.
6. **Егер электрлік құралды ылғалды жерде пайдалану керек болса, қорғаныстық ажырату құрылғысын (RCD) пайдаланыңыз.** Қорғаныстық ажырату құрылғысын пайдалану ток соғу қаупін азайтады.
7. **Электр қуатын әрдайым 30 мА немесе одан кем номиналды дифференциалды тоғы бар қорғаныстық ажырату құрылғысы (RCD) арқылы пайдалану ұсынылады.**
8. **Электрлік құралдар электрмагниттік өрістер шығарады, ол пайдаланушыға қауіпті емес.** Дегенмен электрокардиостимулятор және соған ұқсас басқа медициналық құрылғылардың пайдаланушылары электрлік құралды пайдаланбас бұрын, өндірушімен және/немесе дәрігермен кеңесуі керек.
9. **Қуат ашасын су қолыңызбен ұстамаңыз.**
10. **Егер сымы зақымдалған болса, қауіптен сақтану үшін оны өндірушіге немесе оның агентіне апарып ауыстырыңыз.**

Жеке қауіпсіздік

1. **Электрлік құралды пайдаланған кезде, жасап жатқан жұмысыңызға қырағылық танытып, мұқият болыңыз.** Шаршағанда немесе есірткі, алкоголь немесе дәрі-дәрмектің әсерінде болған кезде электрлік құралды пайдаланбаңыз. Электрлік құралды пайдалану кезінде сәл ғана аңсыздық таныту ауыр жарақатқа әкелуі мүмкін.
2. **Жеке қорғаныс құралдарын пайдаланыңыз.** Міндетті түрде қорғаныс көзілдірігін тағыңыз. Шаңнан қорғайтын маска, сырғанамайтын қорғаныс аяқ киімі, каска немесе құлаққап сияқты қорғаныс жабдықтарын тиісті жағдайларда қолдану жарақаттануды азайтады.
3. **Кездейсоқ іске қосудың алдын алыңыз.** Құралды қуат көзіне және/немесе аккумулятор блогына қоспас бұрын, оны жинап немесе тасымалдамас бұрын, ауыстырып-қосқыш өшірулі күйді екеніне көз жеткізіңіз. Саусақ электрлік құралдың ауыстырып-қосқышында тұрған кезде оны тасымалдау немесе ауыстырып-қосқышы қосулы электрлік құралды қуат көзіне қосу жазатайым оқиғаға әкелуі соғуы мүмкін.

4. **Электрлік құралды қоспас бұрын, реттегіш немесе сомынды бұрайтын кілттерді алып тастаңыз.** Электрлік құралдың айналмалы бөлігінде реттегіш немесе сомынды бұрайтын кілт бекітулі қалса, жарақаттауы мүмкін.
5. **Тым артық күш салмаңыз. Өрдайым тұрақты және тепе-теңдік сақтайтын күйде болыңыз.** Бұл күтпеген жағдайда электрлік құралды жақсы басқаруға мүмкіндік береді.
6. **Жұмысқа сай киініңіз. Бос киім кимеңіз және өшекей тақпаңыз. Шашыңызды және киіміңізді қозғалмалы бөлшектерден алшақ ұстаңыз.** Бос киім, өшекейлер немесе ұзын шаш қозғалмалы бөлшектерге ілініп қалуы мүмкін.
7. **Шаң тұту және жинау құрылғылары қамтамасыз етілген болса, олардың қосулы екендігіне және дұрыс қолданылып жатқанына көз жеткізіңіз.** Шаң жинау құрылғысын пайдалану шаңмен байланысты қауіпті азайтуы мүмкін.
8. **Құралды жиі пайдалану нәтижесінде босаңсып, қауіпсіздік қағидаларын елеусіз қалдырмаңыз.** Салғырттық таныту бір мезетте ауыр жарақатқа өкеп соқтыруы мүмкін.
9. **Электрлік құралды пайдаланған кезде көзіңізді жарақаттал алмау үшін міндетті түрде қорғаныс көзілдірігін тағыңыз. Қорғаныс көзілдіріктері АҚШ-та ANSI Z87.1, Еуропада EN 166 немесе Австралияда/Жаңа Зеландияда AS/NZS 1336 қауіпсіздік стандарттарымен сәйкес келуі керек. Австралияда/Жаңа Зеландияда бетіңізді қорғау үшін қорғаныс маскасын кию заң негізінде талап етіледі.**



Құрал пайдаланушылары мен жұмыс аймағындағы басқа да тұлғалардың тиісті қауіпсіздік қорғаныс жабдықтарын пайдалануын қамтамасыз ету жұмыс берушінің жауапкершілігінде.

Электрлік құралды пайдалану және күтім жасау

1. **Электрлік құралға артық күш түсірмеңіз. Орындалатын жұмысқа сәйкес келетін электрлік құралды пайдаланыңыз.** Дұрыс таңдалған электрлік құрал өзіне жүктелген жұмысты жақсы және қауіпсіз істейді.
 2. **Ауыстырып-қосқышы ақаулы электрлік құралды пайдаланбаңыз.** Ауыстырып-қосқышы ақаулы кез келген электрлік құрал қауіп көндіреді және оны жөндеу керек.
 3. **Кез келген реттеулер жасамас бұрын, керек-жарақтарды ауыстырмас бұрын немесе электрлік құралдарды ұзақ уақытқа сақтамас бұрын, ашаны қуат көзінен ажыратыңыз және/немесе аккумулятор блогы бар болса, оны шығарып алыңыз.** Осындай алдын алу шаралары электрлік құралдың кездейсоқ іске қосылу қаупін азайтады.
4. **Электрлік құралдарды балалардың қолы жетпейтін жерде сақтаңыз, сонымен қатар электрлік құралмен жұмыс істей алмайтын және осы нұсқауларды оқымаған тұлғаларға құралды пайдалануға рұқсат етпеңіз.** Арнайы оқытудан өтпеген пайдаланушылар үшін электрлік құрал қауіп төндіреді.
 5. **Электр құралдарына және керек-жарақтарға техникалық қызмет көрсетіңіз. Қозғалмалы бөлшектердің ауытқуы және оралуы, зақымдалған бөлшектер және электрлік құралдың жұмысына кері әсер ететін басқа жағдайлардың бар-жоғын тексеріңіз. Зақымы болса, электрлік құралды жөндеген соң бірақ пайдаланыңыз.** Жазатайым оқиғалардың көбі электрлік құралдарға дұрыс техникалық қызмет көрсетілмеу себебінен болады.
 6. **Кесу құралдары өткір және таза болуы керек.** Кескіш жиектері өткір кесу құралдарын дұрыс пайдалансаңыз, олар тұрып қалмайды және сол себепті оларды басқару да оңайырақ етеді.
 7. **Электрлік құралды, керек-жарақтарды және қондырмаларды, т.б. жұмыс жағдайы мен орындалатын жұмысты ескере отырып, осы нұсқауларға сәйкес пайдаланыңыз.** Электрлік құралды басқа мақсатта пайдаланған жағдайда, қауіпті жағдай туындауы мүмкін.
 8. **Тұтқалардың және жұмыс орындалатын беттердің құрғақ, таза және майлы болмауын қамтамасыз етіңіз.** Тұтқалар және қолмен ұстайтын беттер тайғақ болса, күтпеген жағдай орын алғанда, құралды пайдалану және оған ие болу мүмкін болмайды.
 9. **Электрлік құралды пайдаланған кезде, ішіне тартылу матадан жасалған қорғаныс қолғабын кимеңіз. Матадан жасалған қорғаныс қолғаптары қозғалмалы бөлшектерге ілініп қалса, жарақаттауы мүмкін.**

Қызмет көрсету

1. **Электрлік құралға қызмет көрсетуді тек қаа жөндеу бойынша білікті аман тиісті қосалқы бөлшектерді пайдаланып жүзеге асыруы қажет.** Бұл электрлік құралдың қауіпсіздігін қамтамасыз етеді.
2. **Керек-жарақтарды майлау және ауыстыру нұсқауын орындаңыз.**

Қылышты ара қауіпсіздігі бойынша ескертулер

1. **Жұмыс істеп жатқанда, кесуге арналған керек-жарақ жасырын сымға немесе өз шурына тиіп кетуі мүмкін болса, электрлік құралды оқшауланған арнайы қысқыштармен ұстаңыз.** Кесу құралы кернеулі сымға тиіп кетсе, электрлік құралдың ашық металл бөлшектерінде кернеу пайда болады, нәтижесінде операторды ток соғуы мүмкін.
2. **Өңдеу бөлшегін орнықты платформаға бекітіп, тіреу үшін қысқыштарды немесе басқа тиімді әдісті пайдаланыңыз.** Өңдеу бөлшегін қолмен немесе денеңізге қарама-қарсы ұстасаңыз, ол тұрақсыз күйде болып, оған ие бола алмай қалуыңыз мүмкін.

3. Әрдайым қауіпсіздік көзілдірігін немесе қорғаныс көзілдірігін пайдаланыңыз. Қарапайым көзілдірік немесе күннен қорғайтын көзілдірік қорғаныс көзілдірігі болып ТАБЫЛМАЙДЫ.
4. Шегелерінің жырып кетуінен абай болыңыз. Өңдеу бөлшегінде қандай да бір шегелердің бар-жоғын тексеріп, жұмысты бастау алдында оларды алып тастаңыз.
5. Ірі габаритті өңдеу бөлшегін кеспеңіз.
6. Жүз еденді, жұмыс үстелін және т.б. зақымдамауы үшін кесу алдында өңдеу бөлшегінің айналасын тексеріңіз.
7. Құралды мықтап ұстаңыз.
8. Ауыстырып-қосқышты іске қоспас бұрын жүздің өңдеу бөлшегіне тиіп тұрмағандығына көз жеткізіңіз.
9. Қолдарыңызды айналмалы бөлшектерден аулақ ұстаңыз.
10. Құралды қосулы күйде қалдырмаңыз. Құралды тек қолмен ұстап пайдаланыңыз.
11. Өңдеу бөлшегінен араны алып тастамас бұрын, араны өшіріп, толық тоқтағанша күтіңіз.
12. Қолданбалы құралды немесе өңдеу бөлшегін пайдаланғаннан кейін бірден ұстауға болмайды. Олар өте ыстық болып, теріні күйдіруі мүмкін.
13. Қажет болмаса, құралды жүктемесіз пайдаланбаңыз.
14. Пайдаланып жатқан материал мен жұмыс үшін әрдайым тиісті түрде шаңнан қорғайтын масканы/респираторды пайдаланыңыз.
15. Кейбір материалдарда улы болуы мүмкін химиялық заттар бар. Шаң жұтуға жол бермей, теріге тигізбеңіз. Материал жеткізушісінің қауіпсіздік туралы деректерін қараңыз.
16. Жұмыс бастамас бұрын жұмыс бөлігінде электр сымдарына арналған түтік, су құбыры немесе газ құбыры сияқты көміп тасталған заттардың жоқ екендігіне көз жеткізіңіз. Әйтпесе, қылышты ара жүзі оларға жанасып, нәтижесінде электр тогының соғуына, электр тогының немесе газдың жылыстауына әкеліп соғуы мүмкін.

ОСЫ НҰСҚАУЛАРДЫ САҚТАҢЫЗ.

▲ ЕСКЕРТУ: Өнімді қайта пайдалану барысында САЛҒЫРТТЫҚ ТАНЫПТАЙ, қауіпсіздік ережелерін ұстаныңыз. Осы пайдалану жөніндегі нұсқаулықта келтірілген қауіпсіздік ережелерін ДҰРЫС ПАЙДАЛАНБАУ немесе орындамау ауыр жарақаттарға әкеп соқтыруы мүмкін.

ФУНКЦИОНАЛДЫҚ СИПАТТАМАСЫ

▲ САҚ БОЛЫҢЫЗ: Құралдың жұмысын реттемес және тексермес бұрын, әрдайым құралдың өшірулі екендігіне және ажыратылғандығына көз жеткізіңіз.

Ауыстырып-қосқыштың әрекеті

▲ ЕСКЕРТУ: Құралды қоспас бұрын, әрдайым ауыстырып-қосқыш шүріппесінің дұрыс жұмыс істеп тұрғанына және босатылған кезде "ӨШІРУЛІ" күйіне қайтарылатынына әрқашан көз жеткізіп тұрыңыз.

▲ ЕСКЕРТУ: Ұзақ пайдалану кезінде оператордың ыңғайлылығы үшін ауыстырып-қосқыш "ҚОСУЛЫ" күйінде құлыптала алады. Құралдың "ҚОСУЛЫ" күйінде құлыпталуы кезінде сақтық танытыңыз және құралдан қатты ұстаңыз.

▲ САҚ БОЛЫҢЫЗ: Кездейсоқ өшіп қалу, желіден ажыратылып қалу немесе байқаусызда қуат көзі ажыратылса, ауыстырып-қосқыш шүріппесін "ӨШІРУЛІ" күйіне қайта келтіріңіз. Әйтпесе, қуат көзі қосылған кезде, құрал кенеттен іске қосылып, дене жарақатына әкеліп соғуы мүмкін.

Құралды іске қосу үшін, ауыстырып-қосқыш шүріппесін жай тартыңыз. Құралдың жылдамдығы ауыстырып-қосқыш шүріппесіндегі қысымды арттырған сайын артады. Тоқтату үшін ауыстырып-қосқыш шүріппесін жіберіңіз. Үздіксіз жұмыс істеу үшін ауыстырып-қосқыш шүріппесін тартып, құлыптау түймесін басыңыз. Құралды құлыпталған күйден тоқтату үшін, ауыстырып-қосқыш шүріппесін толығымен тартыңыз, содан кейін оны босатыңыз.

- **Сурет1:** 1. Ауыстырып-қосқыш шүріппесі
2. Құлыптау түймесі

Ілмек

Қосымша керек-жарақ

▲ САҚ БОЛЫҢЫЗ: Құралмен ілу кезінде, әрдайым құралдың өшірулі екендігіне және желіден ажыратылғанына көз жеткізіңіз.

▲ САҚ БОЛЫҢЫЗ: Құралды жоғары деңгейде немесе тұрақсыз болуы мүмкін жерге ешқашан ілмеңіз.

▲ САҚ БОЛЫҢЫЗ: Құралды белдігіңізге немесе басқа керек-жарақтарыңызға ілмеңіз. Қылышты ара жүзі денеңізбен жанасып, дене жарақатын тудыруы мүмкін.

Ілмек құралды уақытша ілуге ыңғайлы. Ілмекті пайдалану үшін, оны ашық күйге бекітілгенше жай ғана көтеріңіз. Пайдаланылмаған кезде, ілмекті әрдайым жабық күйге бекітілгенше түсіріңіз.

- **Сурет2:** 1. Ілмек

Келесі процедураны орындау арқылы ілмекті жалғаңыз.

1. Оймакілтекті бұрауыштың ұшын ойыққа салып, қақпақты басып, сырғыту арқылы алып тастаңыз.

► **Сурет3:** 1. Керткі 2. Қақпақ

2. Құралға төртбұрышты сомынды суретте көрсетілгендей етіп салыңыз.

3. Ілмекті бұрандалармен бекітіңіз.

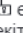

► **Сурет4:** 1. Төртбұрышты сомын 2. Ілмек 3. Бұранда

ҚҰРАСТЫРУ

▲ **САҚ БОЛЫҢЫЗ:** Құралмен жұмыс істемес бұрын, әрдайым құралдың өшірулі екендігіне және ажыратылғандығына көз жеткізіңіз.

Қылышты ара жүзін орнату немесе алу

▲ **САҚ БОЛЫҢЫЗ:** Жүзге және жүз бекіткіш айналасына жабысқан барлық жоңқаларды не бөтен заттарды әрдайым тазалап, алып тастаңыз. Өйтпесе жүз жеткілісіз бекітіліп, ауыр жарақат алуға себеп болуы мүмкін.


Қылышты ара жүзін орнатпастан бұрын, жүз бекіткіш тетігінің (жүз бекіткіш жалғастырғышының бөлігі) оқшаулағыш қақпағында әрқашан босатылған күйде  екеніне көз жеткізіңіз. Егер жүз бекіткіш тетігі бекітілген қалыпта болса, жүз бекіткіш тетігін көрсеткі бағыты бойынша босатылған қалыпта  құлыпталуы үшін айналдырыңыз.

► **Сурет5:** 1. Жүз бекіткіш тетігі 2. Босатылған қалып 3. Бекітілген қалып

Қылышты ара жүзін жүз бекіткішке орныққанша салыңыз. Жүз бекіткіш жалғастырғышы айналады және қылышты ара жүзін бекітеді. Қылышты ара жүзінің тіпті сіз шығарып алуға тырысқан жағдайда да шықпайтындығына көз жеткізіңіз.



► **Сурет6:** 1. Қылышты ара жүзі 2. Жүз бекіткіш жалғастырғышы

▲ **САҚ БОЛЫҢЫЗ:** Егер қылышты ара жүзін жеткілікті дәрежеде терең салмасаңыз, жұмыс барысында байқаусызда шығып кетуі мүмкін. Бұл өте қауіпті болуы мүмкін.

Қылышты ара жүзін алу үшін жүз бекіткіш тетігін көрсеткі бағыты бойынша толық айналдырыңыз. Қылышты ара жүзі алынып, жүз бекіткіш тетігі босатылған қалыпта  бекітіледі.

► **Сурет7:** 1. Қылышты ара жүзі 2. Жүз бекіткіш тетігі

▲ **САҚ БОЛЫҢЫЗ:** Ауыстырып қосу кезінде қолыңыз бен саусақтарыңызды тетіктен алшақ ұстаңыз. Мұны орындамау дене жарақатын алуға себеп болуы мүмкін.

▲ **ЕСКЕРТПЕ:** Егер қылышты ара жүзін жүз бекіткіш тетігін толық айналдырмай алсаңыз, тетік босатылған қалыпта  құлыпталмай қалуы мүмкін. Мұндай жағдайда жүз бекіткіш тетігін тағы да толық айналдырыңыз, содан соң жүз бекіткіш тетігі босатылған қалыпта  құлыпталғандығына көз жеткізіңіз.

▲ **ЕСКЕРТПЕ:** Жүз бекіткіш тетігі құралдың ішінде орналасқан болса, жүзді шығару үшін құралды бір секундқа ғана қосыңыз. Қылышты ара жүзін орнатпастан немесе алмастан бұрын, құралды желіден ажыратыңыз.

ПАЙДАЛАНУ

▲ **САҚ БОЛЫҢЫЗ:** Құралды әрқашан бір қолыңызбен оқшаулағыш қақпағынан мықтап ұстаңыз да, екінші қолыңызбен ауыстырып-қосқыш тұтқасынан ұстаңыз.

▲ **САҚ БОЛЫҢЫЗ:** Жұмыс барысында сырғақты өңдеу бөлшегіне әрдайым мықтап басыңыз. Егер сырғақ жұмыс барысында өңдеу бөлшегінен алынып тасталса немесе одан алшақ қойылса, онда күшті діріл және/немесе бұралу пайда болып, жүздің қауіпті түрде жарылуына әкелуі мүмкін.

▲ **САҚ БОЛЫҢЫЗ:** Металл кесу кезінде қолыңызды ыстық ұшатын жоңқалардан қорғау үшін әрқашан қолғап киіңіз.

▲ **САҚ БОЛЫҢЫЗ:** Қолданыстағы ұлттық стандарттарға сай келетін тиісті қорғаныс көзілдірігін міндетті түрде тағыңыз.

▲ **САҚ БОЛЫҢЫЗ:** Металл кесу кезінде әрдайым үйлесімді салқындатқыш сұйықтықты (кесуге арналған май) қолданыңыз. Мұны орындамау жүздің мерзімінен ерте тозуына әкелуі мүмкін.

▲ **САҚ БОЛЫҢЫЗ:** Кесу кезінде жүзді сілкіменіңіз.

Сырғақты өңдеу бөлшегіне мықтап басыңыз. Құралдың ырғуына жол бермеңіз. Қылышты ара жүзін өңдеу бөлшегіне сәл жанастырыңыз. Алдымен, төмен жылдамдықпен сынамалы ойық жасаңыз. Содан кейін жоғары жылдамдықты пайдаланып, кесуді жалғастырыңыз.

► **Сурет8**

▲ **НАЗАР САЛЫҢЫЗ:** Өңдеу бөлшегін одан алыстағы аяқ киіммен немесе аяқ киімсіз кеспеніз. Бұлай жасау реакция күшін арттырып, ара жүзінің сынуына алып келуі мүмкін.

ТЕХНИКАЛЫҚ ҚЫЗМЕТ КӨРСЕТУ

▲ **САҚ БОЛЫҢЫЗ:** Тексеру немесе техникалық қызмет көрсету жұмыстарын жүргізбес бұрын, әрдайым құралдың өшірулі екендігіне және токтан ажыратылғанына көз жеткізіңіз.

НАЗАР САЛЫҢЫЗ: Жанармайды, бензинді, сұйылтқышты, спиртті немесе соған ұқсас заттарды ешқашан пайдаланбаңыз. Нәтижесінде түссіздену, бүліну немесе жарақтар пайда болуына әкелуі мүмкін.

Өнімнің ҚАУІПСІЗДІГІ мен СЕНІМДІЛІГІН қамтамасыз ету үшін, жөндеу жұмыстары, кез келген басқа техникалық қызмет көрсету немесе реттеу әрдайым Makita қосалқы бөлшектерін пайдалану арқылы Makita компаниясының өкілетті немесе зауыттық қызмет көрсету орталықтары тарапынан орындалуы керек.

Графитті қылшақты ауыстыру

► **Сурет9:** 1. Шектеу белгісі

Графитті қылшақтарды жүйелі түрде тексеріп тұрыңыз. Оларды шектеу белгісіне дейін тозған кезде ауыстырыңыз. Графитті қылшақтарды тазалап тұрыңыз және ұстағыштарда сырғыту үшін бос ұстаңыз. Екі графитті қылшақты бір уақытта ауыстыру қажет. Тек бірдей графитті қылшақтарды пайдаланыңыз.

1. Қылшақ ұстағыш қалпақшаларды алып тастау үшін бұрама шегені бұрағышты пайдаланыңыз.

2. Тозған графитті қылшақтарды алып, жаңаларын салыңыз және қылшақ ұстағыш қалпақшаларды бекітіңіз.

► **Сурет10:** 1. Қылшақ ұстағыш қалпақшасы

ҚОСЫМША КЕРЕК-ЖАРАҚТАР

▲ САҚ БОЛЫҢЫЗ: Бұл керек-жарақтар мен қондырмалар осы нұсқаулықта көрсетілген Makita құралымен бірге пайдалануға ұсынылады. Кез келген басқа керек-жарақтар мен қондырмаларды пайдалану адамдардың жарақаттануына әкелуі мүмкін. Керек-жарақты немесе қондырманы тек өз мақсатында ғана қолданыңыз.

Осы керек-жарақтар туралы қосымша мәлімет алу үшін көмек қажет болса, жергілікті Makita қызмет көрсету орталығына хабарласыңыз.

- Қылышты ара жүздері
- Ілмек

ЕСКЕРТПЕ: Тізімдегі кейбір элементтер стандартты керек-жарақтар ретінде құралдың қаптамасында болуы мүмкін. Олар елге байланысты әртүрлі болуы мүмкін.

Makita Europe N.V. Jan-Baptist Vinkstraat 2,
3070 Kortenberg, Belgium

Makita Corporation 3-11-8, Sumiyoshi-cho,
Anjo, Aichi 446-8502 Japan

www.makita.com

885752-785
EN, RU, KK
20190911